

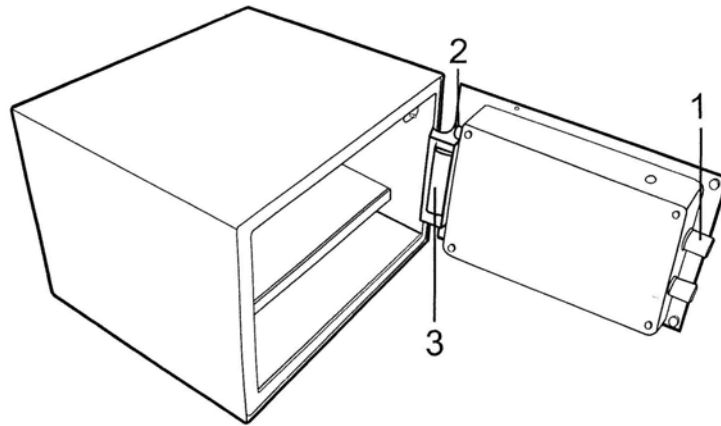
# FACIAL RECOGNITION SAFE

**!** Please do not keep emergency keys in your safe!

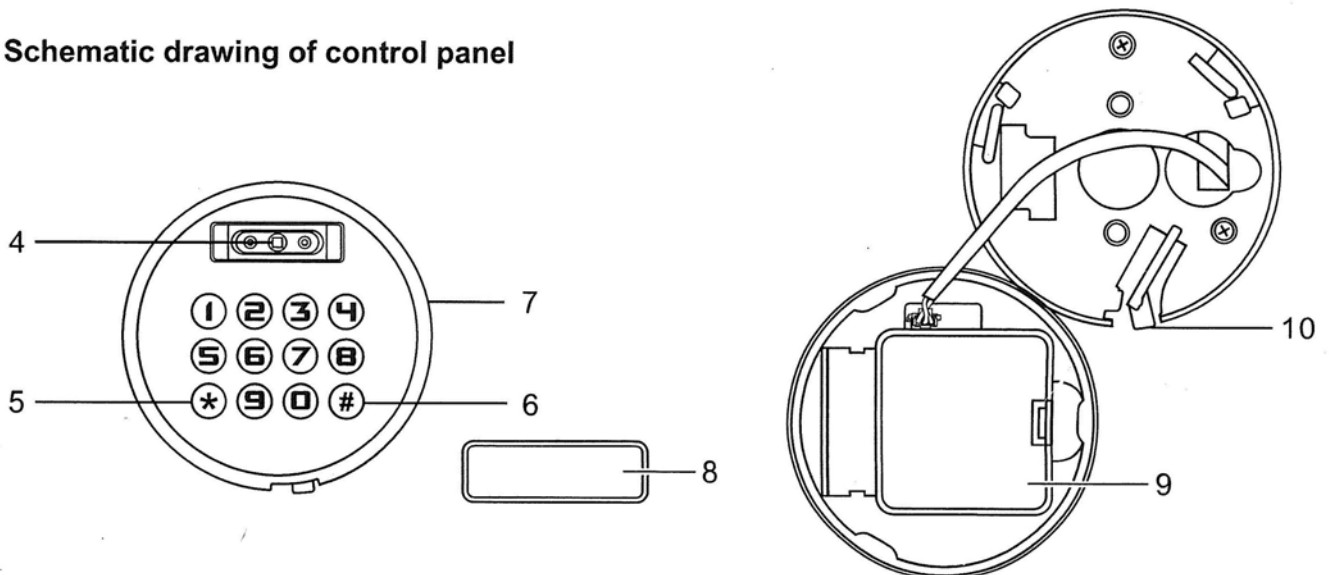
**Dear valued customer:**

Thank you for choosing our products! You've taken an important step in organizing and protecting your most valued possessions. Every series of our safes is professionally made and designed to provide safety. Please take time to read and familiarize yourself with the proper operating procedures of your new safe presented on the following pages.

**Schematic drawing of case**



**Schematic drawing of control panel**



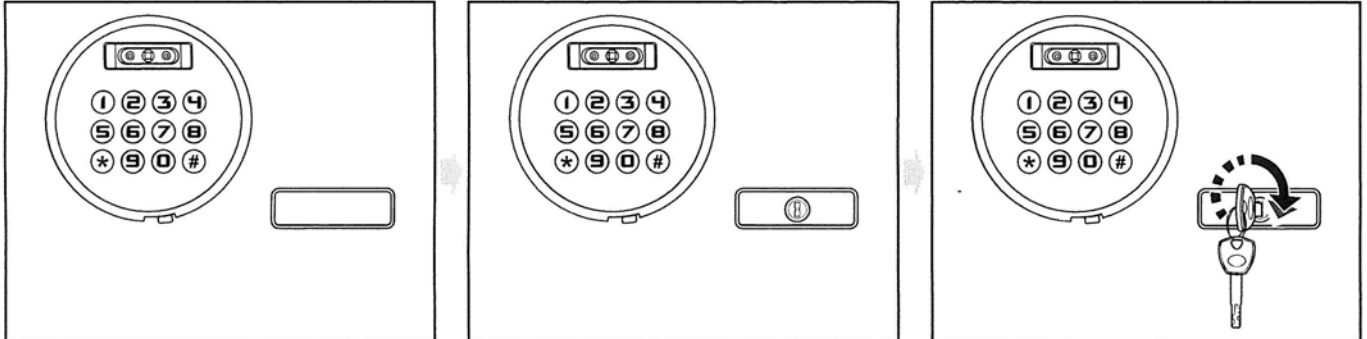
1. Bolts
2. Reset Button
3. LED light
4. Face Recognition Scanner
5. Clearing Button

6. Confirming Button
7. Keypad panel
8. Emergency Lock Cover
9. Battery Compartment(Behind the Panel)
10. Latch

## OPENING YOUR SAFE FOR THE FIRST TIME

- Upon first opening, users should open the safe with the emergency key.
- Remove emergency lock cover, then insert the emergency key, and turn it clockwise to open the door.

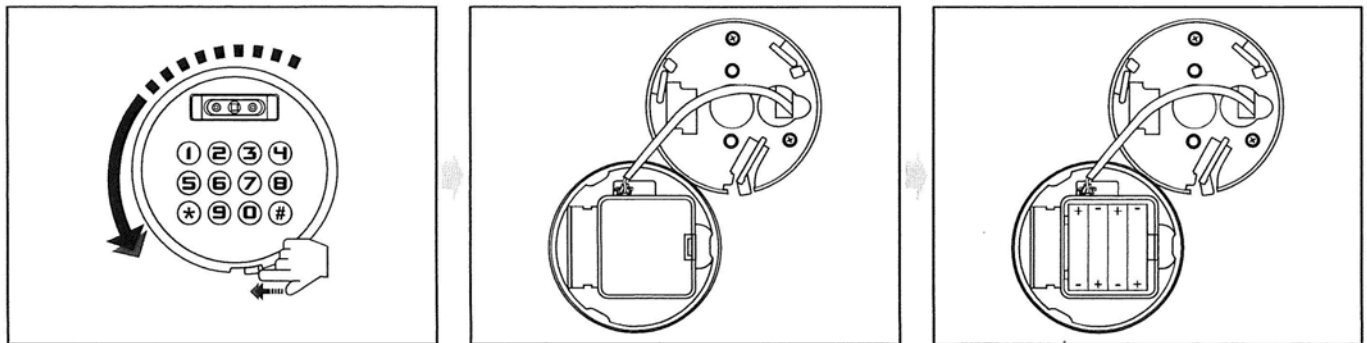
**! CAUTION:** Finish operation, pull out the emergency key and keep it in a safe place. Don't put the key in the safe.



## INSERTING THE BATTERIES

- There is a latch at the bottom of the panel, pull the latch to the left while turning the panel anticlockwise, then you will see the battery compartment behind the panel.
- Pull out the battery compartment cover.
- Replace 4 fresh batteries by lining them up in a manner as indicates by the "+" and "-" signs.

**! CAUTION:** When the battery is low, the red light on the panel will be on to remind the user that the battery is low, please replace the fresh battery as soon as possible.



## SETTING PASSWORD & FACE REGISTRATION

### SET USER CODE

- Press the reset button and the buzzer beeps twice, the yellow light flashes once, indicating enter into the face registration state.
- Now you can ignore it, continue to hold the reset button for 2 seconds until you hear one beep, the panel will light up and the yellow light will be always on, indicating enter into the setting password state.
- Enter the 3-8 new digital password, press "\*" to confirm, the buzzer will beep twice and the green light will flash once, indicating that the password is set successfully.

**! CAUTION:** The preset code is 123456.

## FACE REGISTRATION

- Press the reset button and the buzzer beeps 2 times, the yellow light flashes once, indicating enter into the face registration state.
  - Look straight into the face recognition scanner and do not cover or move your face, wait for the system to collect the face data patiently.
  - When the buzzer beeps twice, it means the face registration is successful; When the buzzer beeps three times, it means the face registration is failed; When the buzzer beeps six times, it means you have registered before.
- NOTE:** When the buzzer beeps five times, it indicates the face registration is full (capacity:100), then the panel lights, and enter the password setting state again. If you don't want to set password, please wait 10 seconds without doing anything to automatically exit the state.

## OPENING DOOR

### PASSWORD UNLOCK

- Wake up the screen with the palm firstly, then press the 2 flashing number keys to unlock the panel. Enter the 3-8 digital password and press "#" to confirm, the green light flashes with two beeps, then the door will automatically open.

### FACIAL RECOGNITION UNLOCK

- Wake up the screen with the palm firstly, do not press the 2 flashing number keys to wait for the camera on the screen to recognize your face. If recognize successfully, the green light flashes with two beeps, then the door will automatically open.

## WARNING FUNCTION

### CODE ERROR LOCK FUNCTION

- If the wrong password or wrong face is recognized for 6 times consecutively, the system will lock for 30 seconds. If the wrong password is entered or wrong face is recognized for 12 times consecutively, the system will lock for 5 minutes.
- In the locked state, the keypad does not allow any input. You can use the emergency key to open the safe for emergency use. The keypad can only be used after the lock has been released.

### SILENT MODE

- Wake up the screen with the palm firstly, then press the 2 flashing number keys to unlock the panel.
- Press "\*633" to mute the sound and press "\*66" to restore the sound. (Note: Automatic return to normal sound after power failure.)

## CLEAR FACE DATA & RESET CODE

- Press the reset button for about 5 seconds until hearing the buzzer beeps about 1 second and the green light flashes, the system is restored to factory setting mode. The password is reset to "123456" and the face data is wiped out.